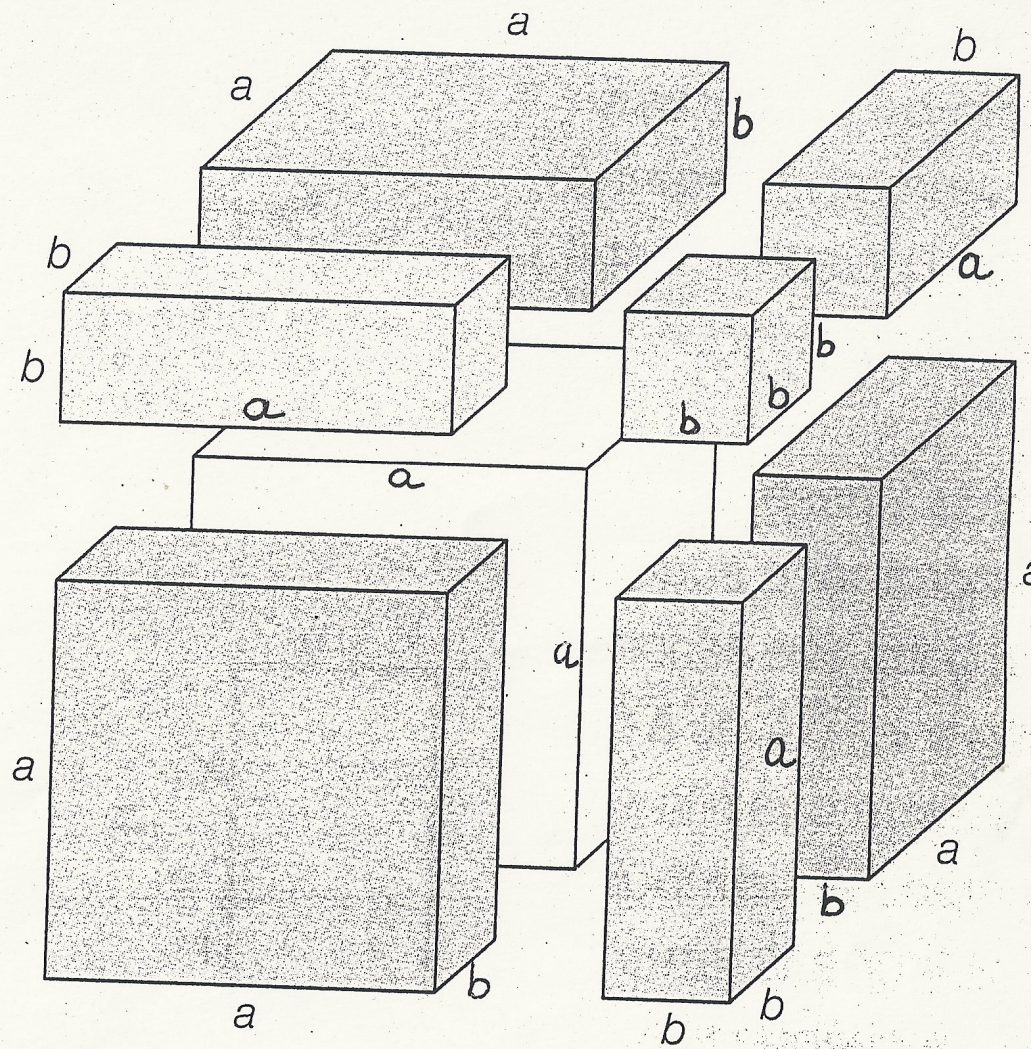


$$(a + b)^3$$

=



$$a^3 + 3a^2b + 3ab^2 + b^3$$